

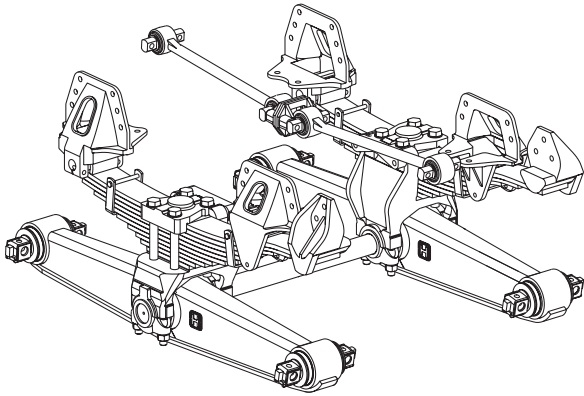
PARTS LIST

RT/RTE™ Series

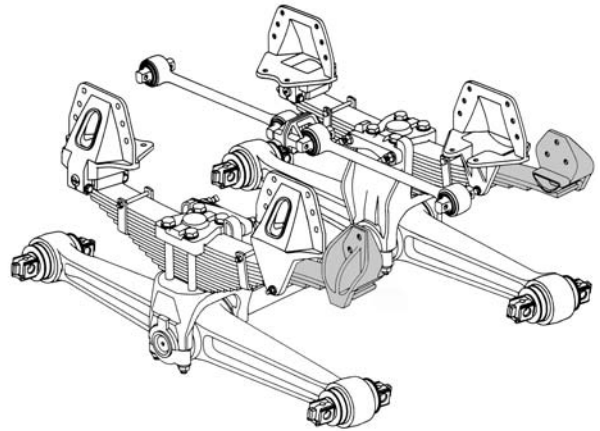
LIT NO: SP-168

DATE: November 2004

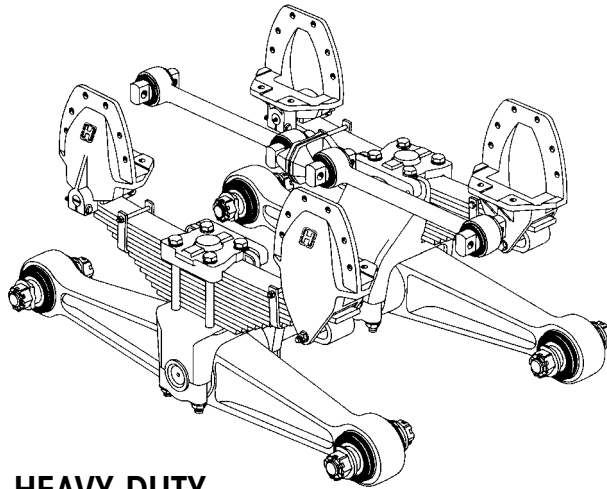
REVISION: A



**RT/RTE-340/343/
400/403/460/463**



**RT/RTE-480/
503/520/523**



**HEAVY DUTY
RT-650**

For The Road Ahead™

 **HENDRICKSON**

